



PU STOOL

DESCRIPTION

5-spoke chromed steel base with antistatic pads
Chromatic lift-gas column for seat height adjustable from 490 to 620 mm
Comfort seat in supple soft polyurethane foam
Set designed to ensure a perfect descent of electrical charges to the ground
In compliance with the norm : IEC 61340

ADVANTAGES

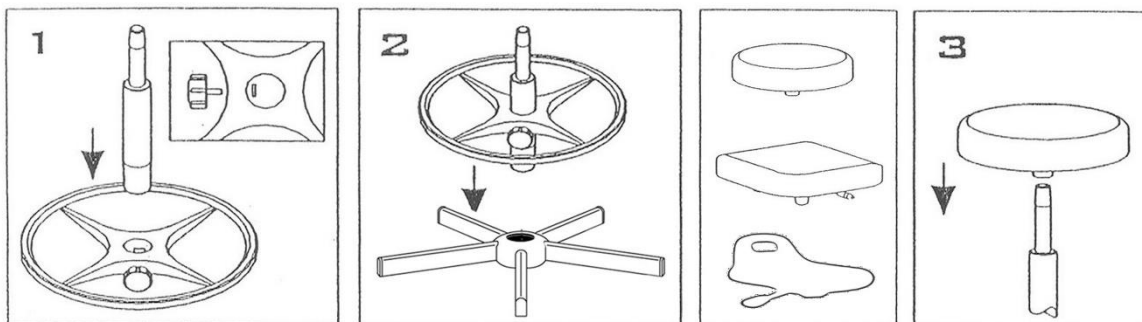
Comfortable and ventilated surface
Without staple or stitching
Abrasion resistant
Easily adjustable
Resistant to intensive use
Seat cushion
Guarantee 5 years



REFERENCE	DESIGNATION
02-0401-00720	ESD PU stool



Tabourets / Semi-assis
Stools / Semi stand-up seats
Hocker / Steh-Sitzhilfe
Taburetes / Sillas semi santadas



- Repose-pieds optionnel
- Footrest optional
- Zubehoer : Fußring
- Reposapiés opcional

